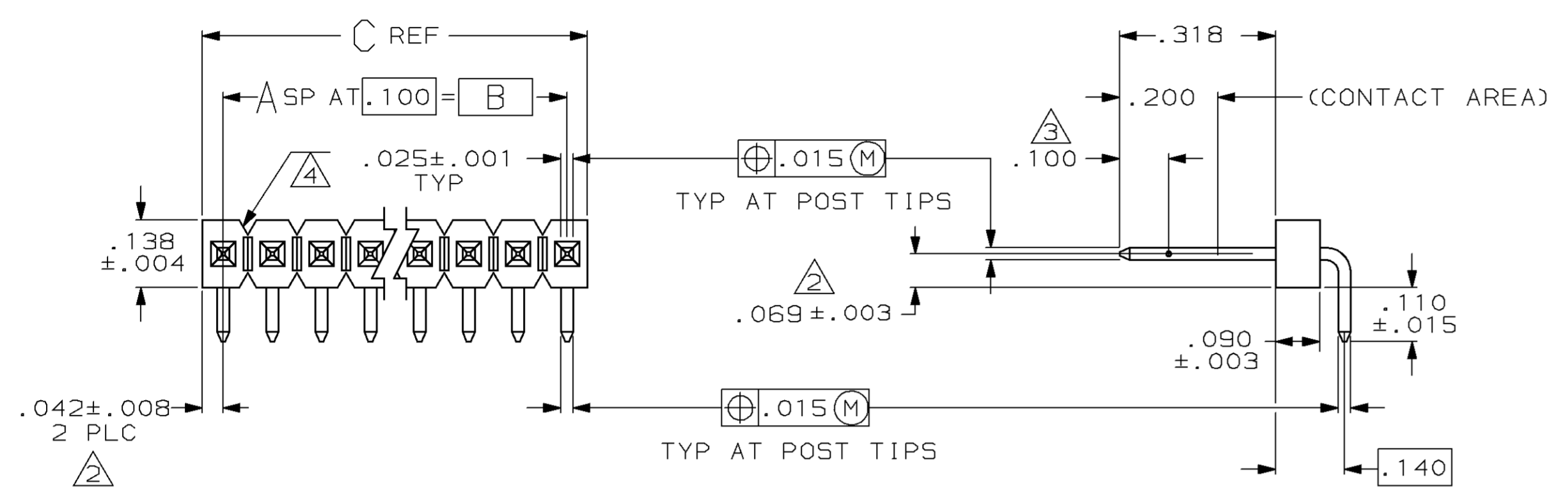
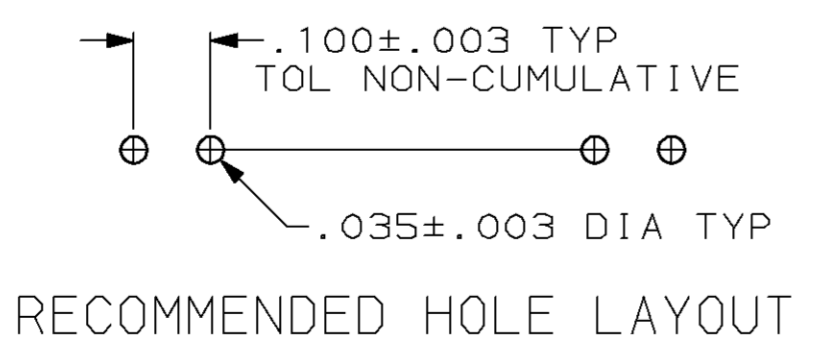


LOC AD	DIST	P	F	ZONE	LTR	DESCRIPTION	DATE	APPD
	39				B	REV&REDRAWN ECN 1691		
					C	REV LOC & DIST AD-4171	3-90	BF
					D	REV PER ECN 0010-0187-92	11/23/92	JK
					E	REV PER 0010-1752-93 TT	12-08-93	GD
					F	EC 0010-1601-95	2/20/97	GD



- ASSEMBLY MAY BE BROKEN TO THE DESIRED NUMBER OF POSITIONS.
- THE NOTED DIMENSIONS APPLY AT THE INTERSECTION OF THE POST AND HOUSING
- POINT OF MEASUREMENT FOR PLATING THICKNESS
- BREAKAWAY NOTCH ANGLE CAN BE ORIENTED TO THE RIGHT (AS SHOWN) OR TO THE LEFT



3.984	3.900	39	40	4-102978-0
3.884	3.800	38	39	3-102978-9
3.784	3.700	37	38	3-102978-8
3.684	3.600	36	37	3-102978-7
3.584	3.500	35	36	3-102978-6
3.484	3.400	34	35	3-102978-5
3.384	3.300	33	34	3-102978-4
3.284	3.200	32	33	3-102978-3
3.184	3.100	31	32	3-102978-2
3.084	3.000	30	31	3-102978-1
2.984	2.900	29	30	3-102978-0
2.884	2.800	28	29	2-102978-9
2.784	2.700	27	28	2-102978-8
2.684	2.600	26	27	2-102978-7
2.584	2.500	25	26	2-102978-6
2.484	2.400	24	25	2-102978-5
2.384	2.300	23	24	2-102978-4
2.284	2.200	22	23	2-102978-3
2.184	2.100	21	22	2-102978-2
2.084	2.000	20	21	2-102978-1
1.984	1.900	19	20	2-102978-0
1.884	1.800	18	19	1-102978-9
1.784	1.700	17	18	1-102978-8
1.684	1.600	16	17	1-102978-7
1.584	1.500	15	16	1-102978-6
1.484	1.400	14	15	1-102978-5
1.384	1.300	13	14	1-102978-4
1.284	1.200	12	13	1-102978-3
1.184	1.100	11	12	1-102978-2
1.084	1.000	10	11	1-102978-1
.984	.900	9	10	1-102978-0
.884	.800	8	9	102978-9
.784	.700	7	8	102978-8
.684	.600	6	7	102978-7
.584	.500	5	6	102978-6
.484	.400	4	5	102978-5
.384	.300	3	4	102978-4
.284	.200	2	3	102978-3
.184	.100	1	2	102978-2
.084	—	—	1	102978-1
C	B	A	NO OF POSN	PART NUMBER

UNLESS OTHERWISE SPECIFIED DIMENSIONS ARE IN INCHES TOLERANCES ON :	DR 10-15-87 H MOLL	AMP INCORPORATED Harrisburg, Pa. 17105
2 PL DEC ±-. 3 PL DEC ±.005 ANGLES ±-	CHK 10-20-87 T. CLARK APPD 10-20-87 T. CLARK	
MATERIAL: HOUSING: FLAME RETARDANT THERMOPLASTIC, COLOR-BLACK	APPD 10-20-87 R. ELICKER PRODUCT SPEC	NAME HEADER ASSY, MOD II, BREAKAWAY, SINGLE ROW, .100¢, RIGHT ANGLE, W/ .025 SQ POSTS
POSTS: PHOS BRONZE FINISH: POSTS .000030 GOLD ON CONTACT AREA, .000100-.000200 MATTE TIN-LEAD ON SOLDER TAIL, ALL OVER .000050 NICKEL	APPLICATION SPEC WEIGHT	SIZE D FSCM NO 00779 DRAWING NO 102978
		SCALE 4:1 SHEET 1 OF 1